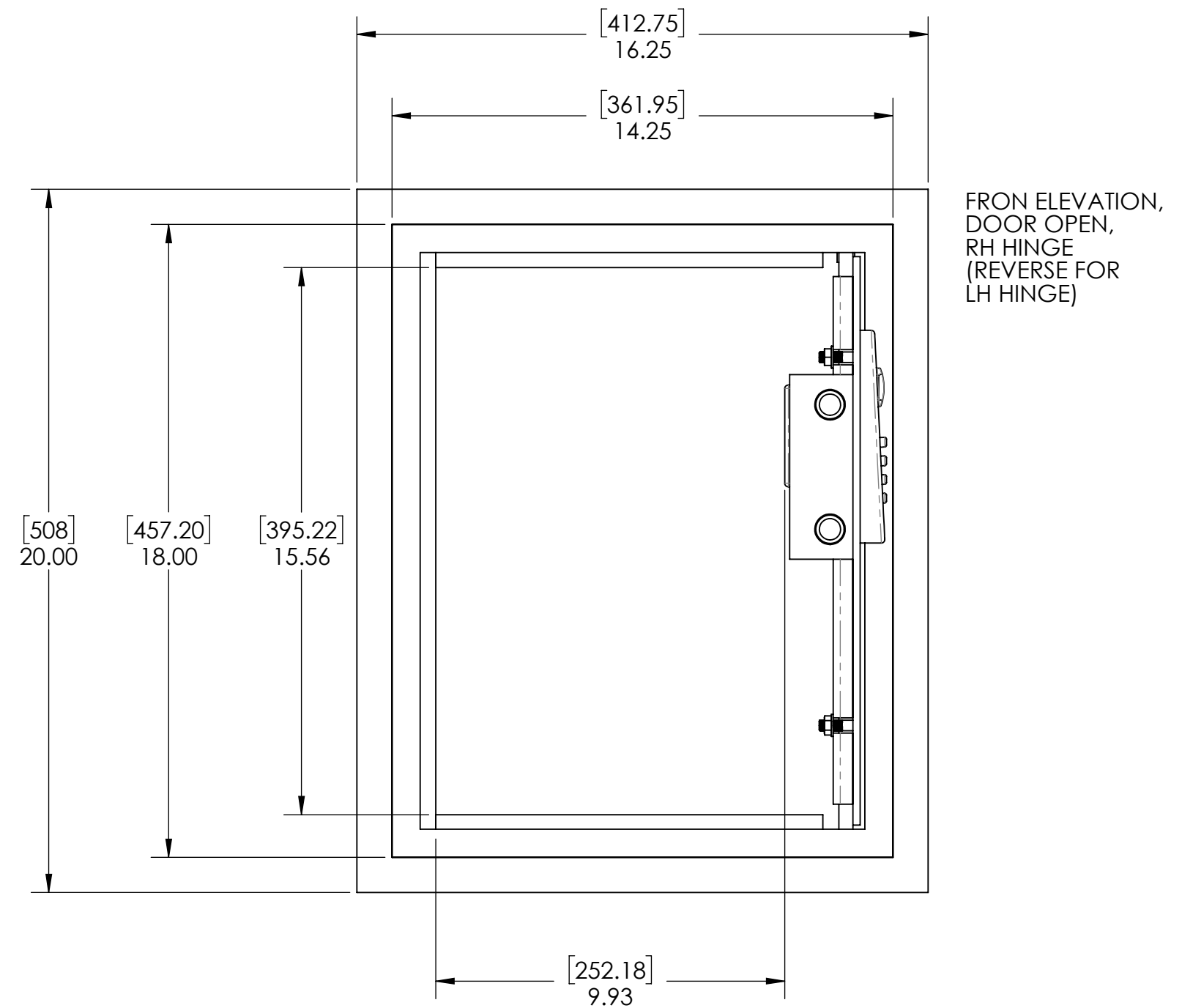
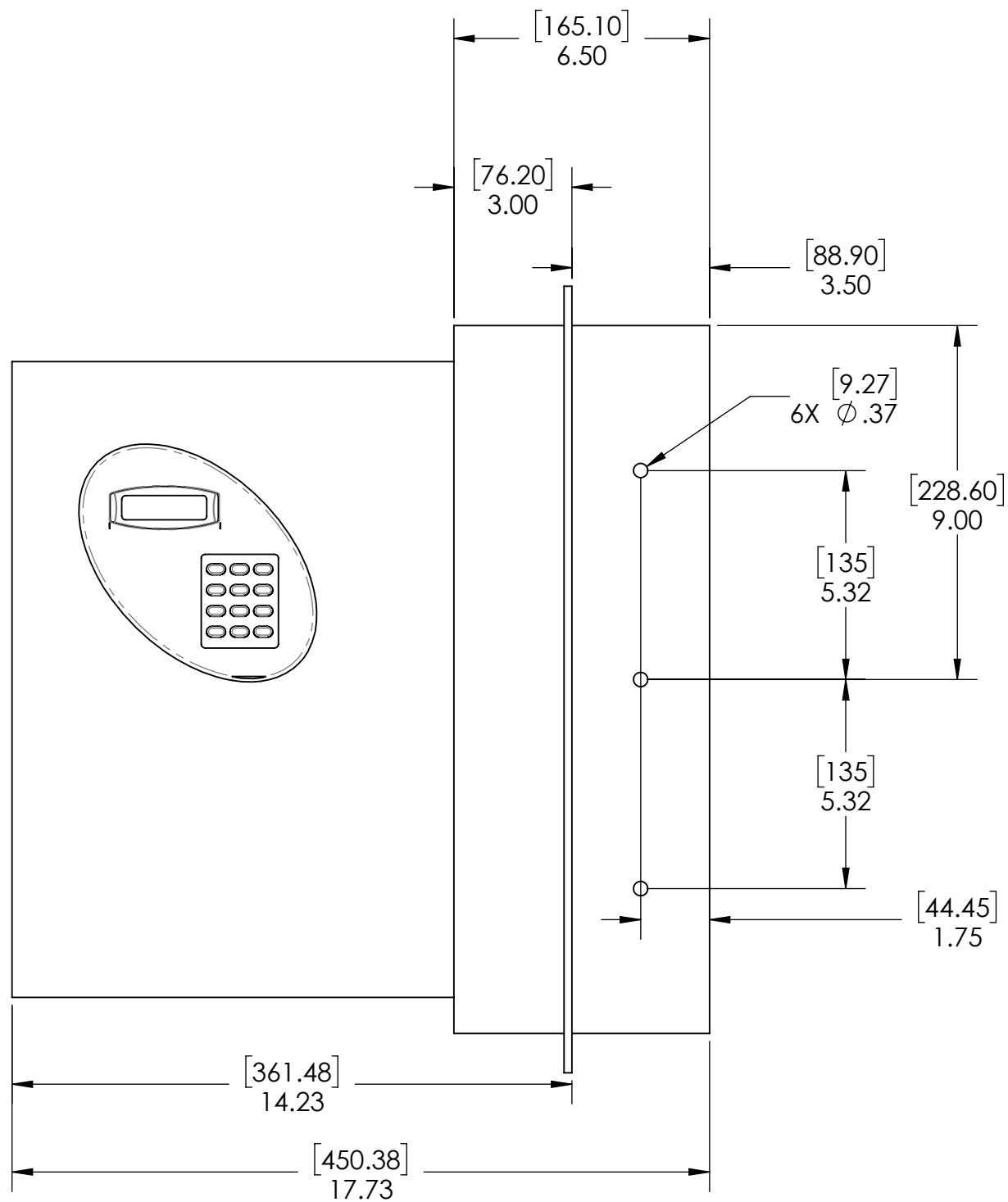
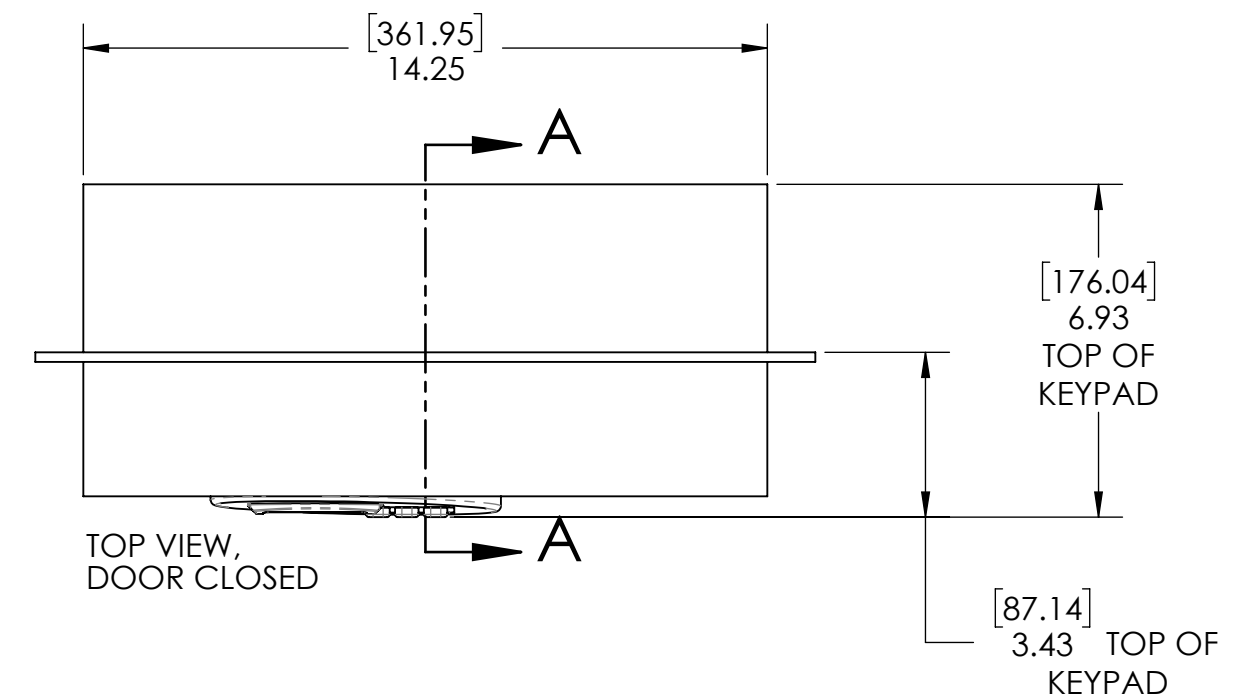
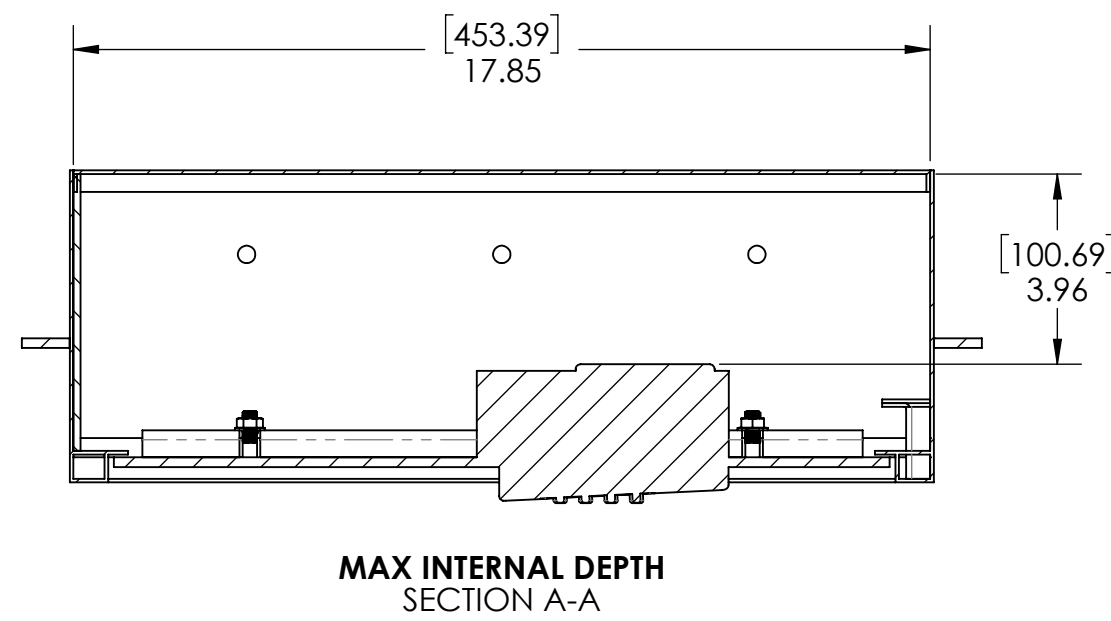
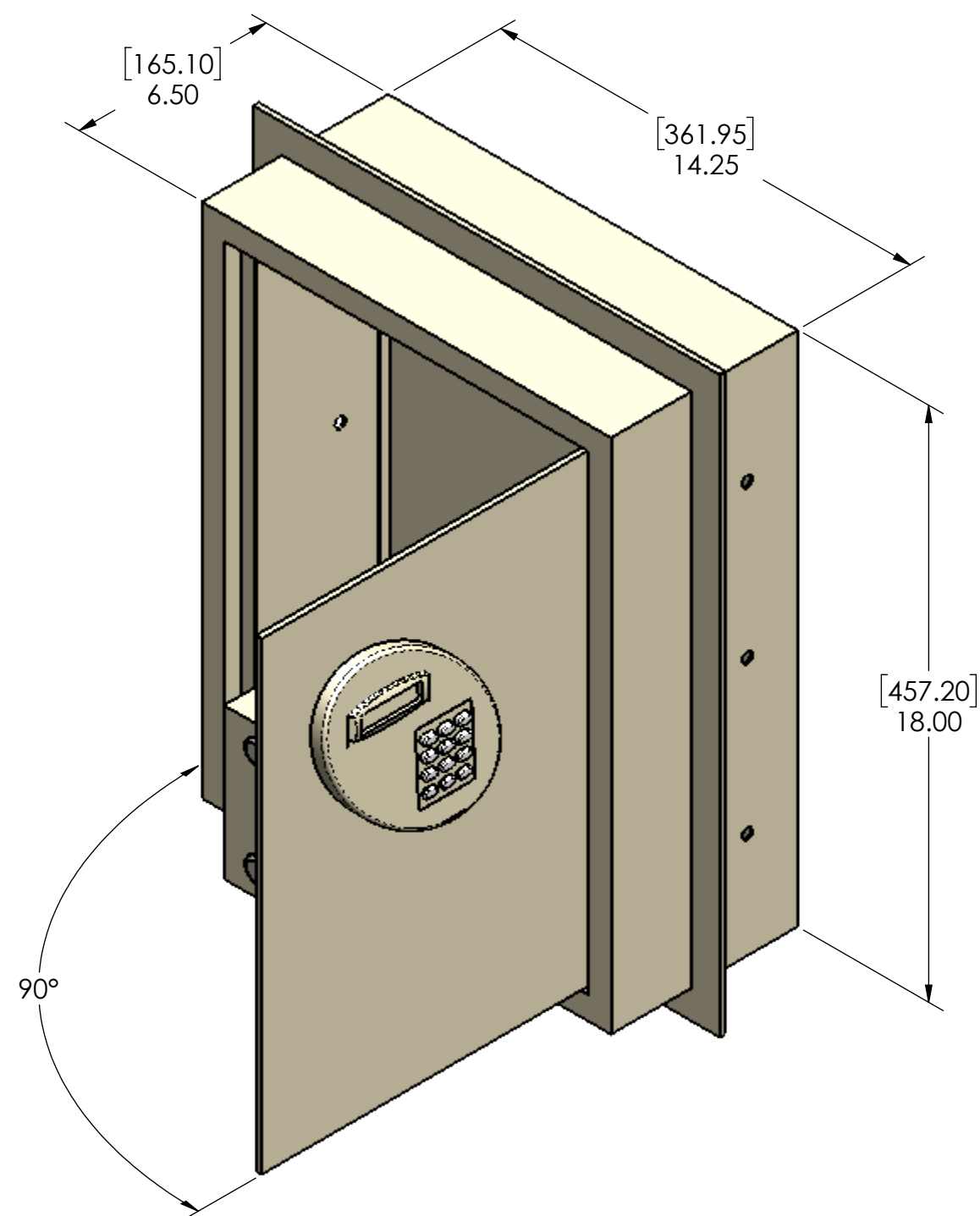


REVISIONS				
REV.	ZONE	DESCRIPTION	DATE	APPRD
2	ALL	UPDATED EXTENSIVELY	6/13/18	MMB



FRON ELEVATION,
DOOR OPEN,
RH HINGE
(REVERSE FOR
LH HINGE)



UNLESS OTHERWISE SPECIFIED:
DIMENSIONS ARE IN INCHES
TOLERANCES:
FRACTIONAL $\pm 1/16$
ANGULAR: $\pm 1/2^\circ$
TWO PLACE DECIMAL $\pm .05$
THREE PLACE DECIMAL $\pm .005$
FOUR PLACE DECIMAL $\pm .0005$

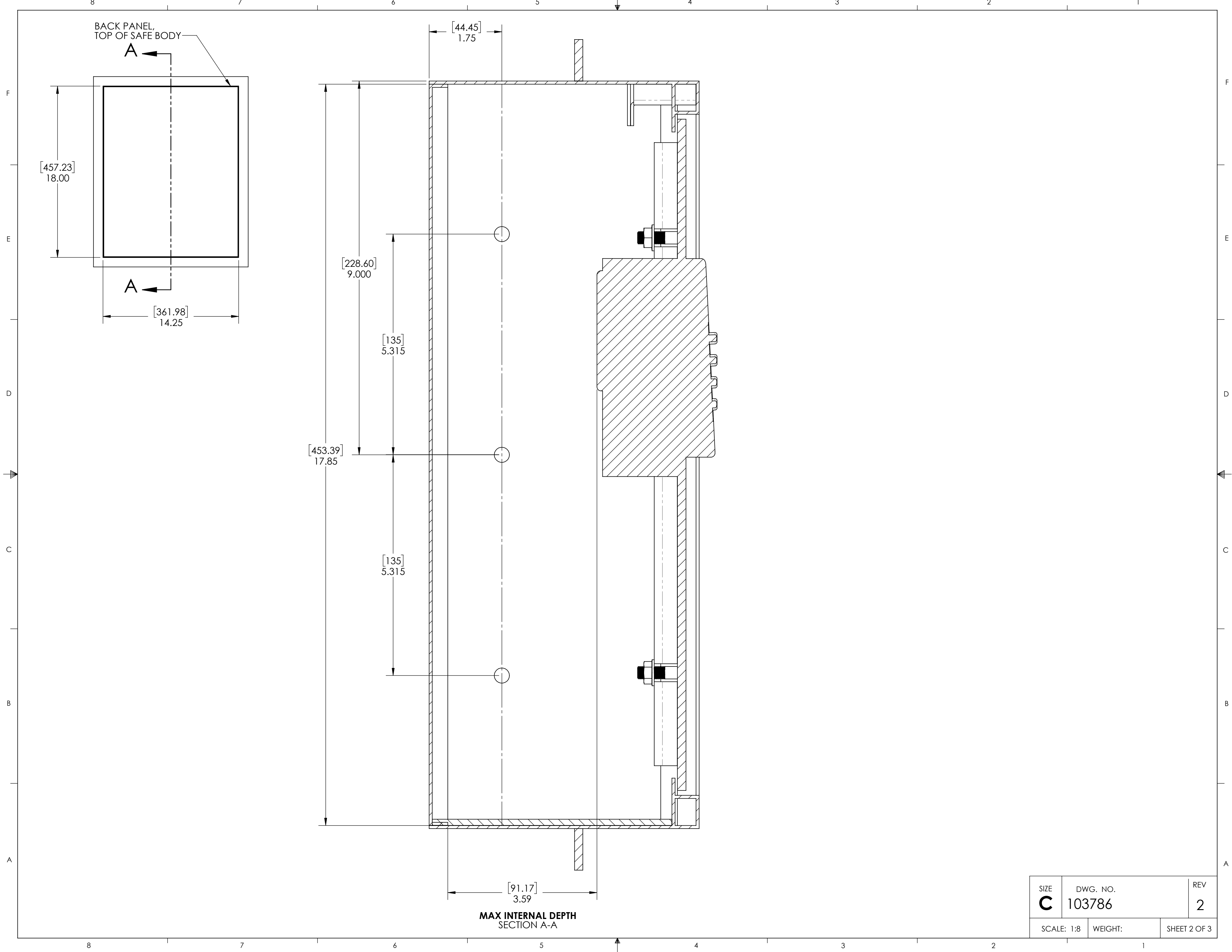
THE INFORMATION CONTAINED IN THIS DRAWING IS THE SOLE PROPERTY OF SAFEMARK. ANY REPRODUCTION IN PART OR AS A WHOLE WITHOUT THE WRITTEN PERMISSION IS PROHIBITED. PROPRIETARY AND CONFIDENTIAL

	NAME	DATE
DRAWN	CWF	6/22/16
CHECKED		
ENG APPR.		
MFG APPR.		

SAFEMARK™
Orlando, FL

TITLE:
WALL SAFE WX5.0

SIZE C	DWG. NO. 103786	REV 2
SCALE: 1:8		WEIGHT:
DO NOT SCALE DRAWING		SHEET 1 OF 3



BACK PANEL,
TOP OF SAFE BODY

A

[457.23]
18.00

A

[361.98]
14.25

[44.45]
1.75

[228.60]
9.000

[135]
5.315

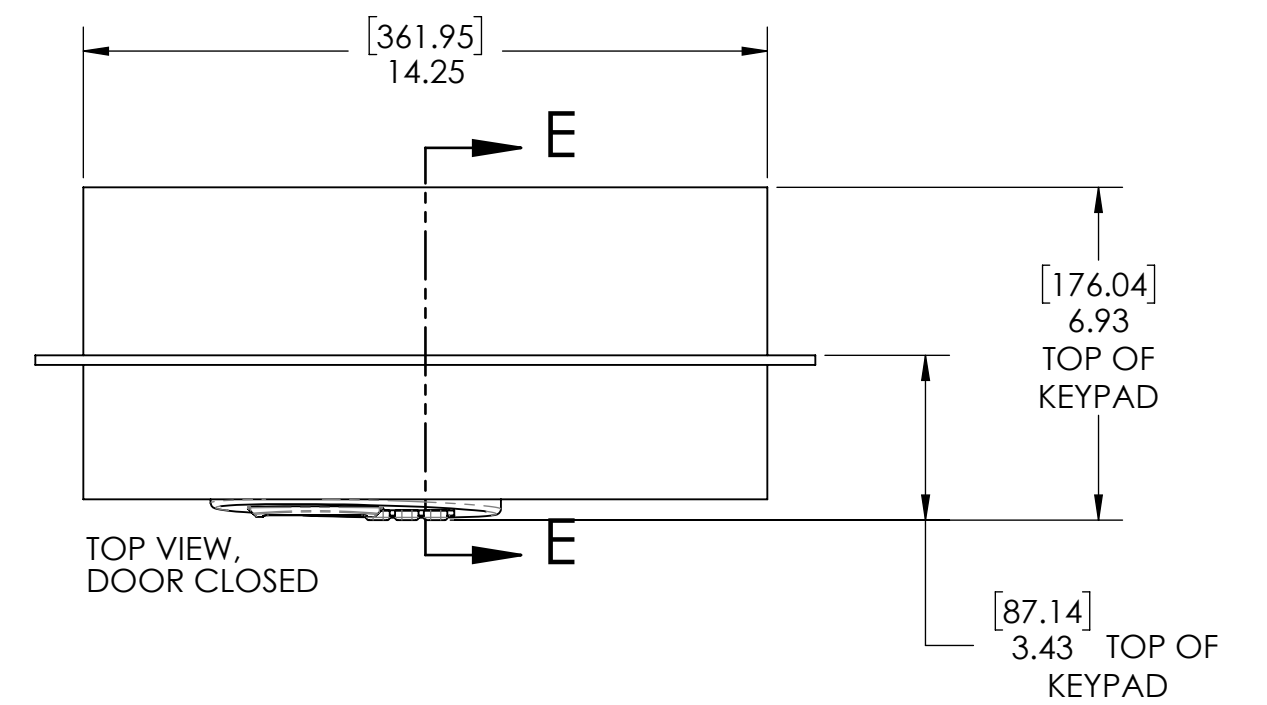
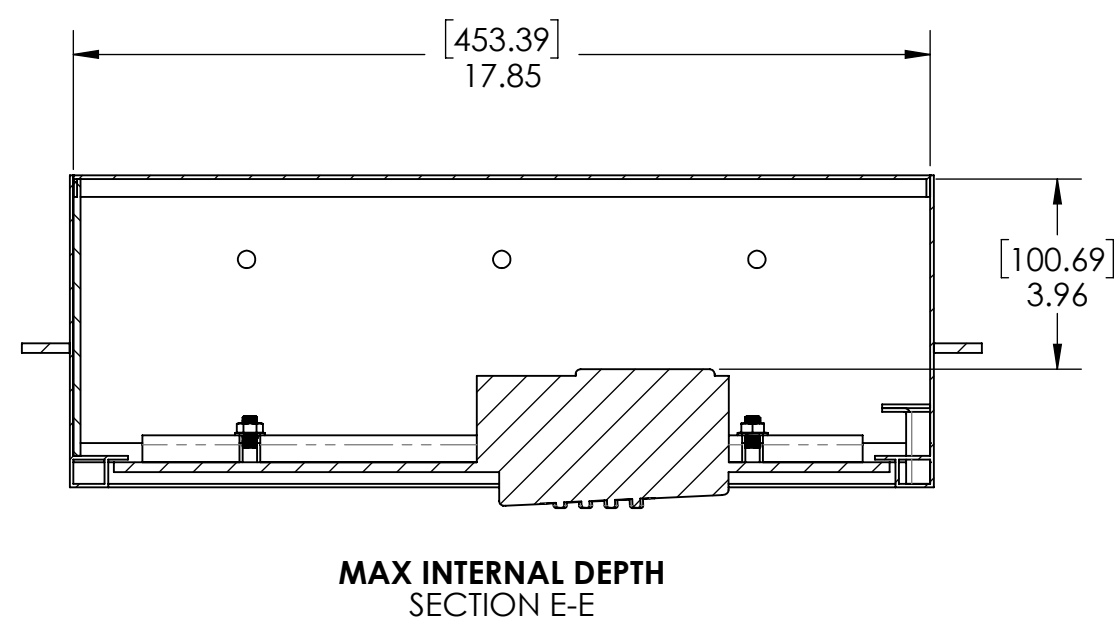
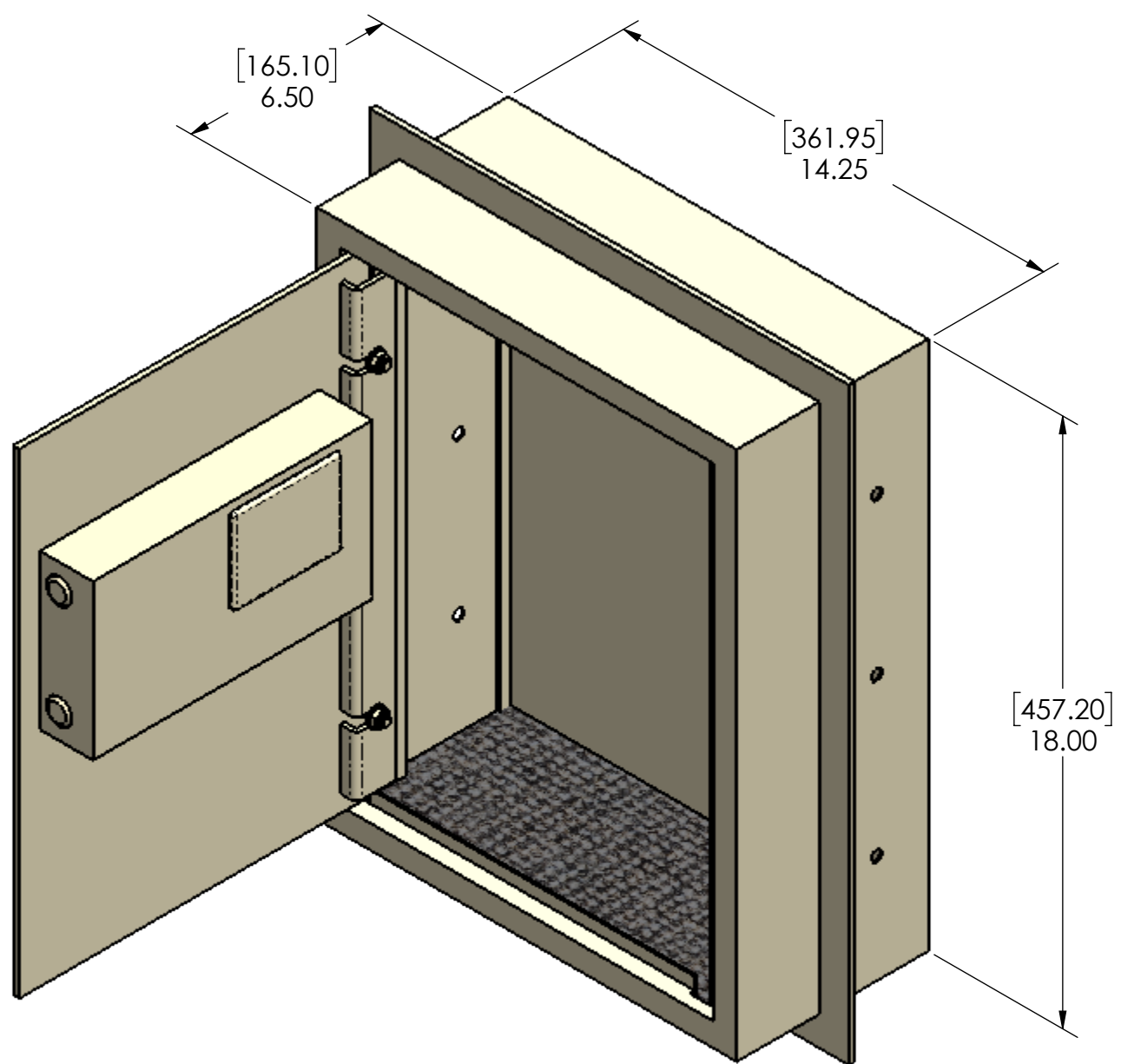
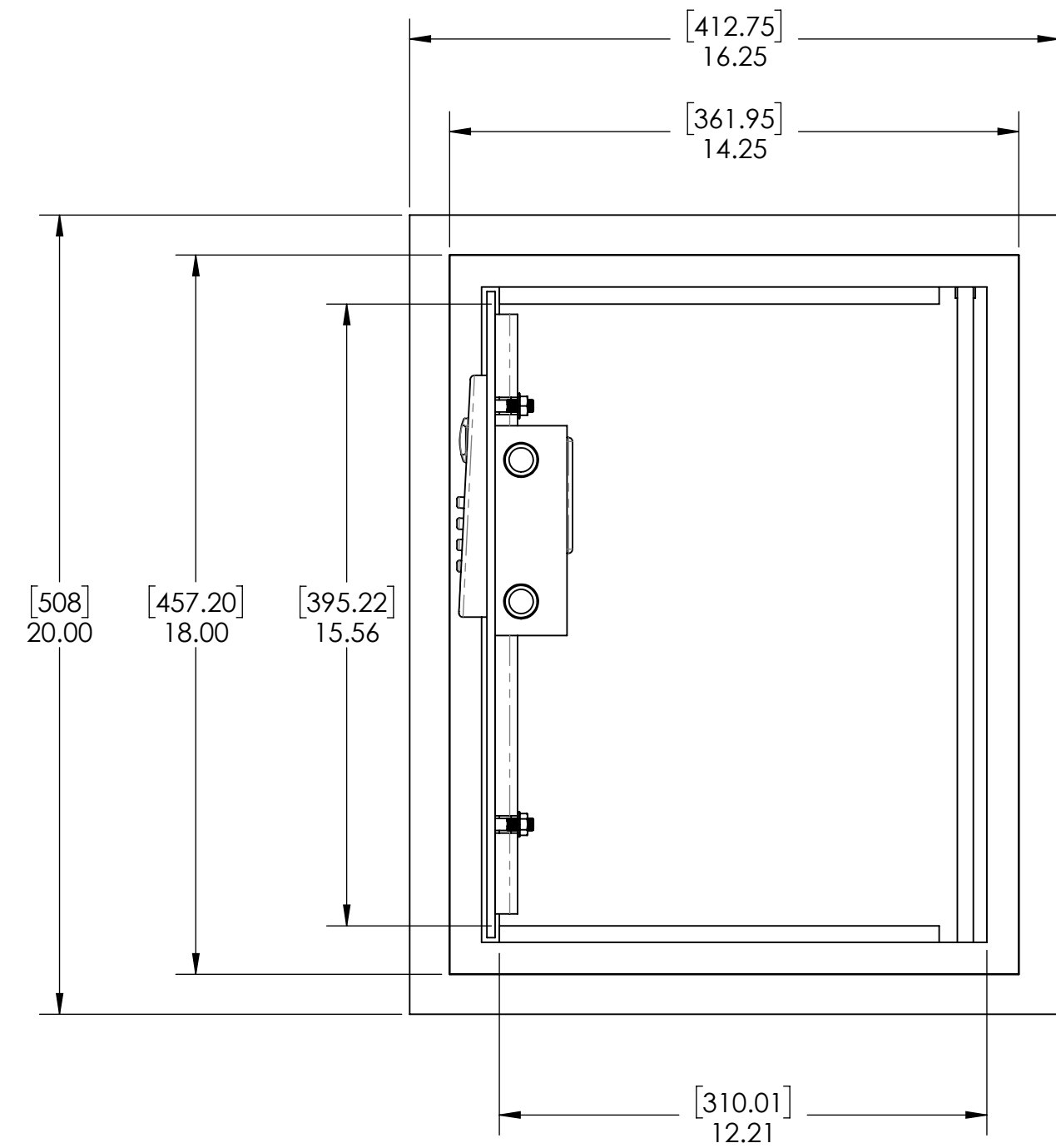
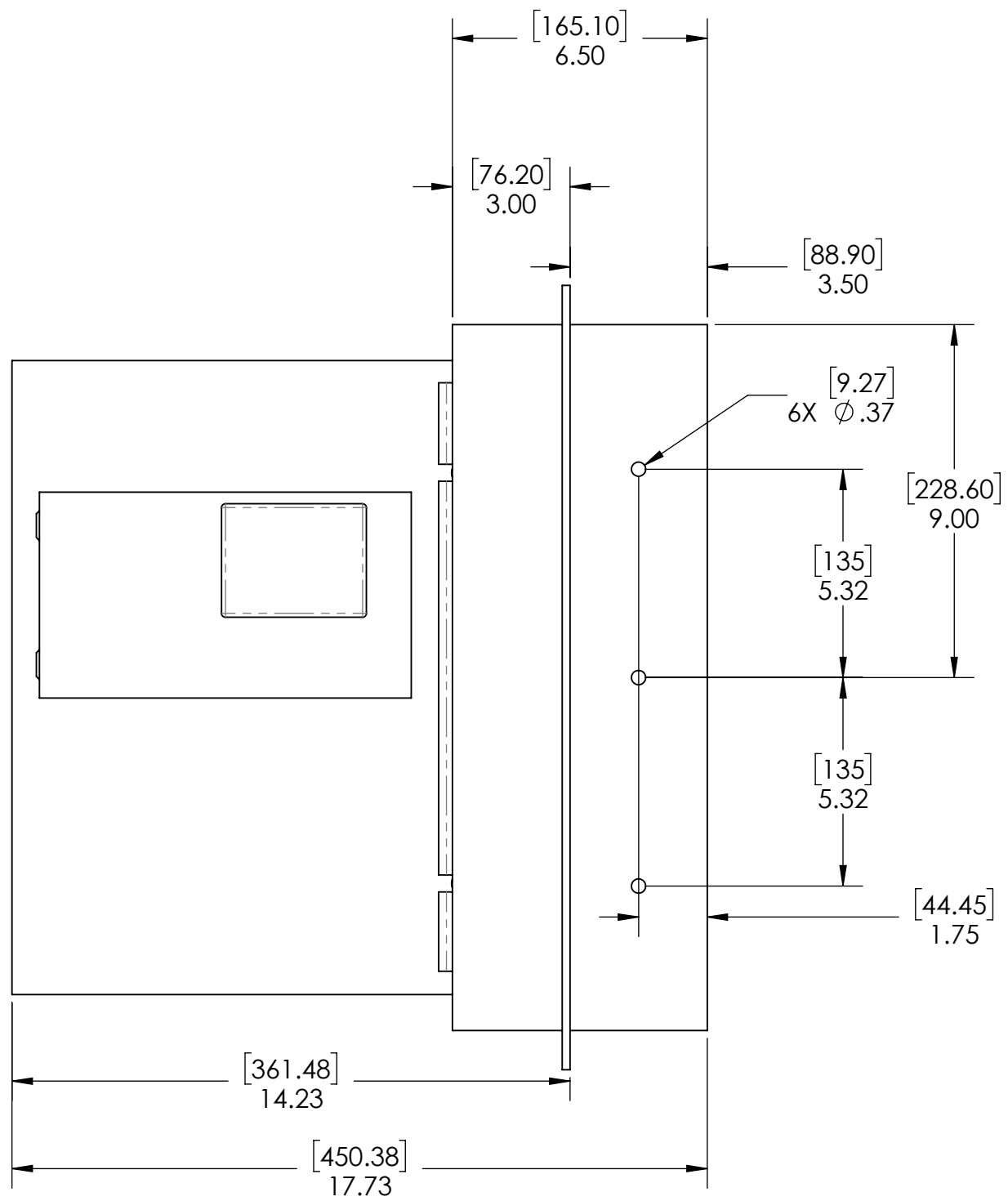
[453.39]
17.85

[135]
5.315

[91.17]
3.59

MAX INTERNAL DEPTH
SECTION A-A

SIZE C	DWG. NO. 103786	REV 2
SCALE: 1:8	WEIGHT:	SHEET 2 OF 3



TITLE: WX 5.0 WALL SAFE (LH)		
SIZE C	DWG. NO. 103786	REV 2
SCALE: 1:8	WEIGHT:	SHEET 3 OF 3