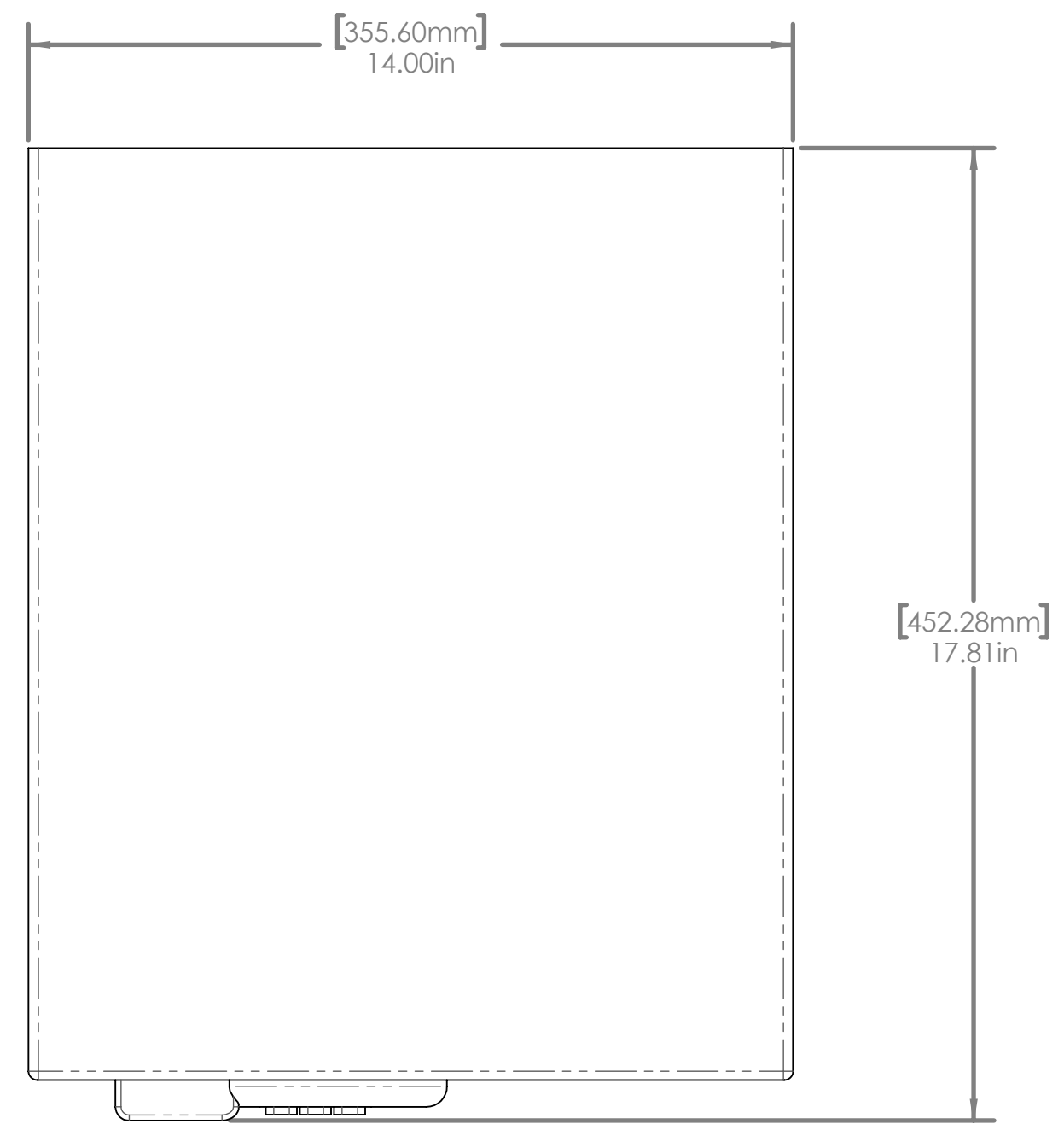
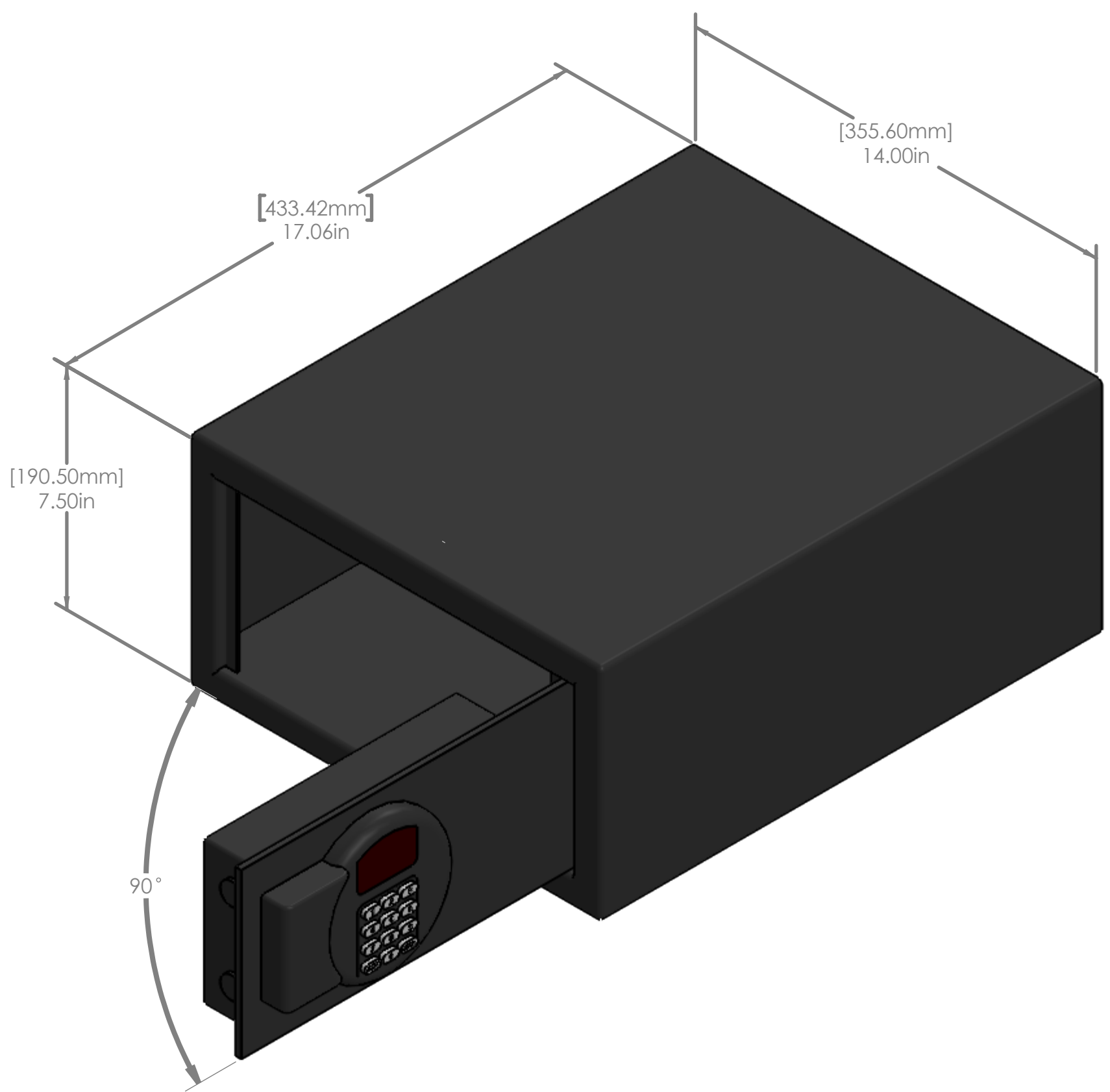
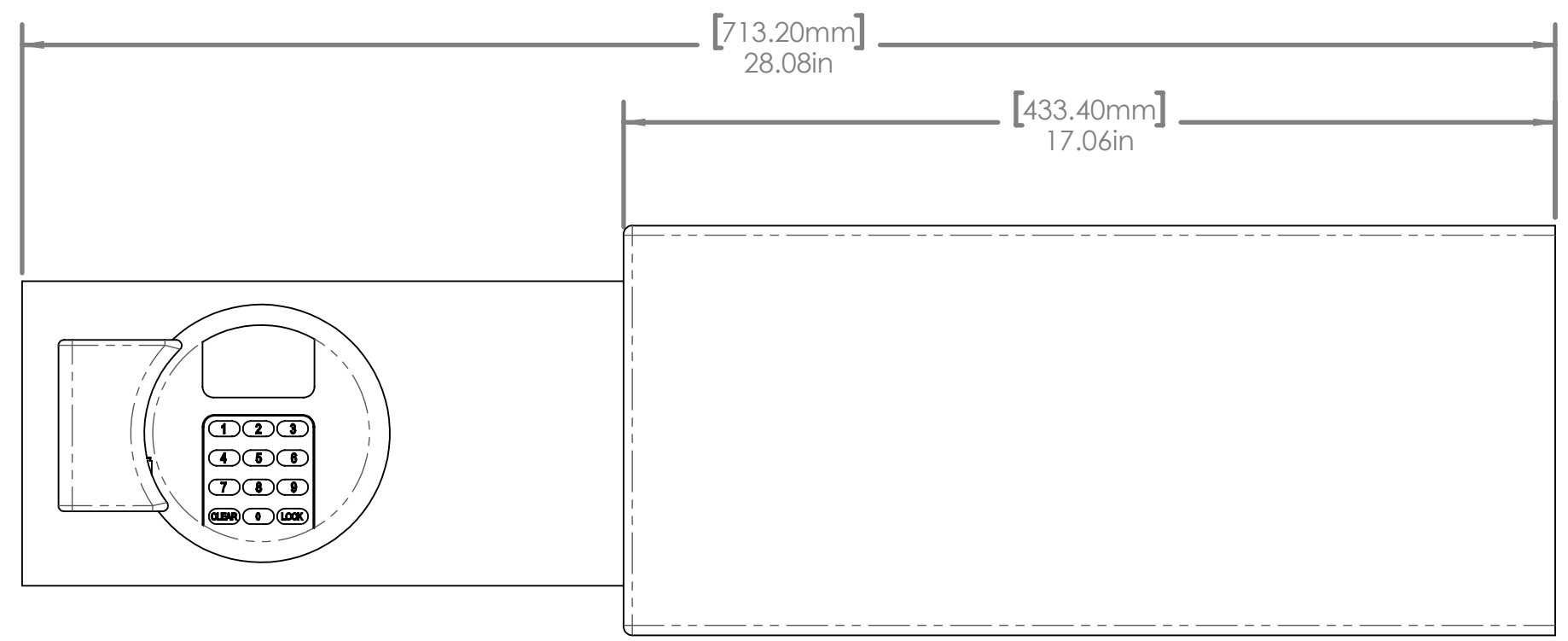
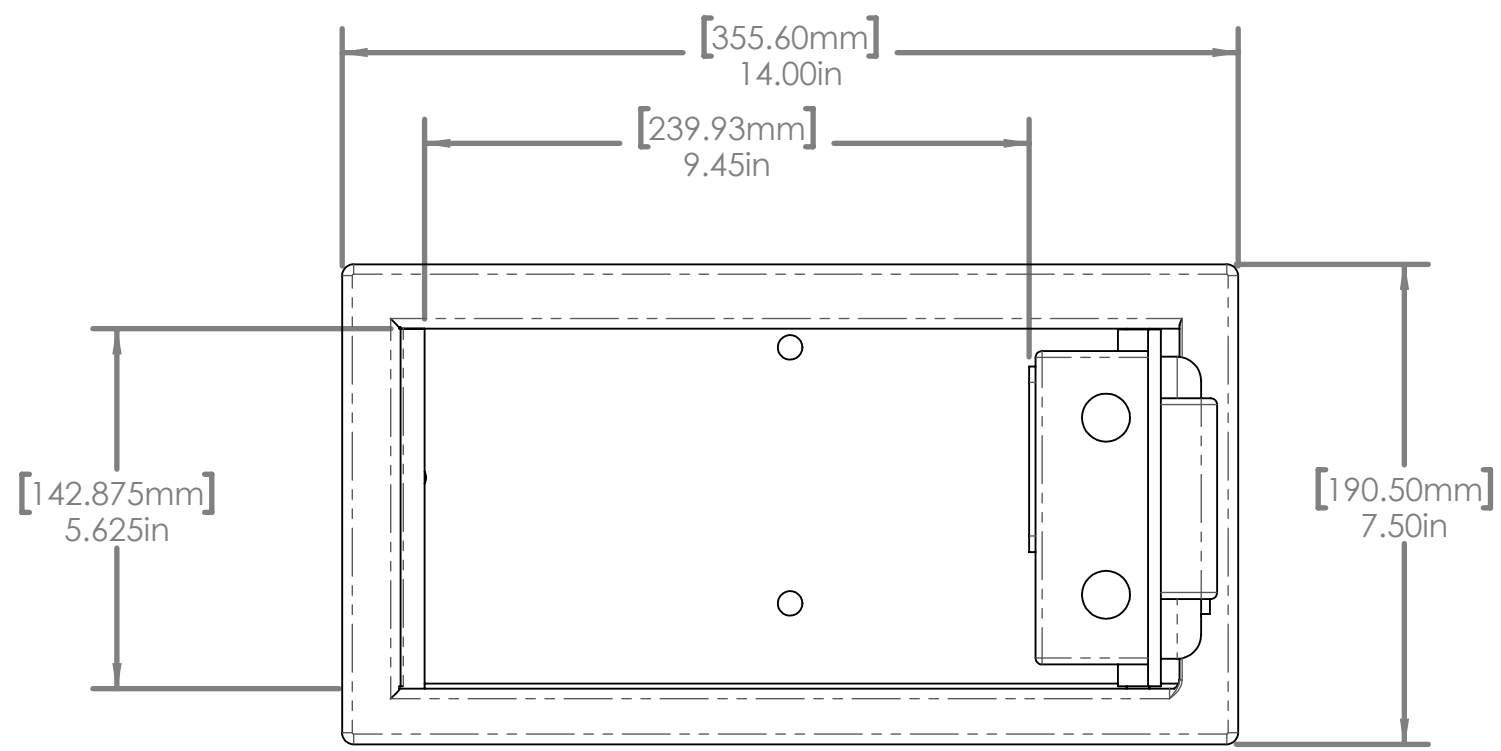


REVISIONS				
REV.	ZONE	DESCRIPTION	DATE	APPRD
1	ALL	INITIAL RELEASE	6/14/16	CWF



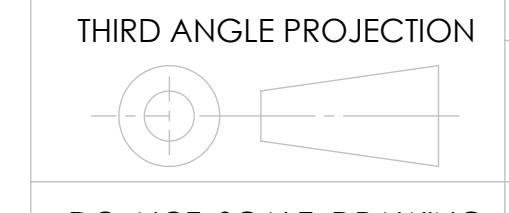
UNLESS OTHERWISE SPECIFIED:
 DIMENSIONS ARE IN INCHES
 TOLERANCES:
 FRACTIONAL: ± 1/16
 ANGULAR: ± 1/2°
 TWO PLACE DECIMAL +/- .05
 THREE PLACE DECIMAL +/- .005
 FOUR PLACE DECIMAL +/- .0005

THE INFORMATION CONTAINED IN THIS DRAWING IS THE SOLE PROPERTY OF SAFEMARK. ANY REPRODUCTION IN PART OR AS A WHOLE WITHOUT THE WRITTEN PERMISSION IS PROHIBITED. PROPRIETARY AND CONFIDENTIAL

	NAME	DATE
DRAWN	CWF	6/14/16
CHECKED		
ENG APPR.		
MFG APPR.		

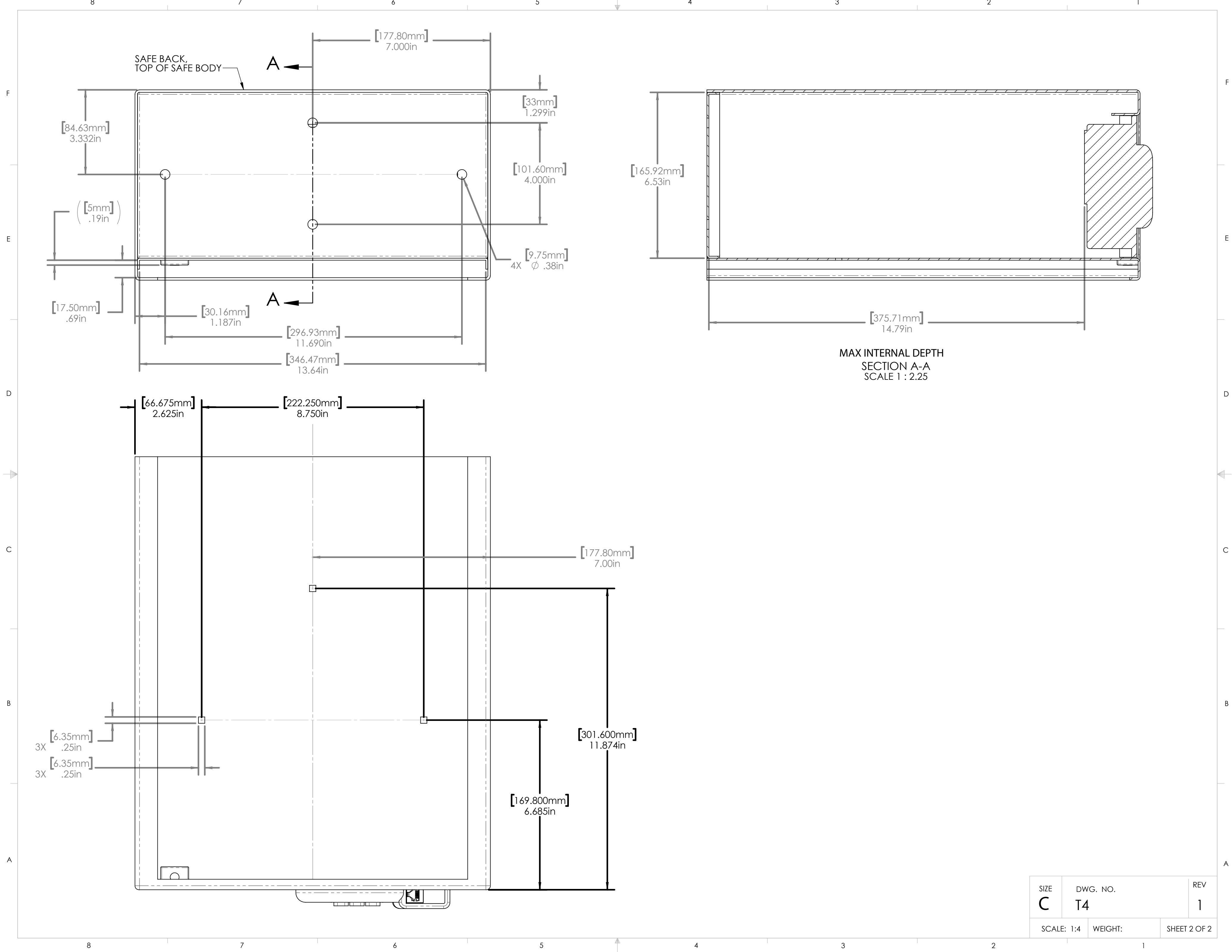
SAFEMARK™
Orlando, FL

TITLE:
T4



SIZE	DWG. NO.	REV
C	T4	1

DO NOT SCALE DRAWING SCALE: 1:4 WEIGHT: SHEET 1 OF 2



SIZE C	DWG. NO. T4	REV 1
SCALE: 1:4	WEIGHT:	SHEET 2 OF 2