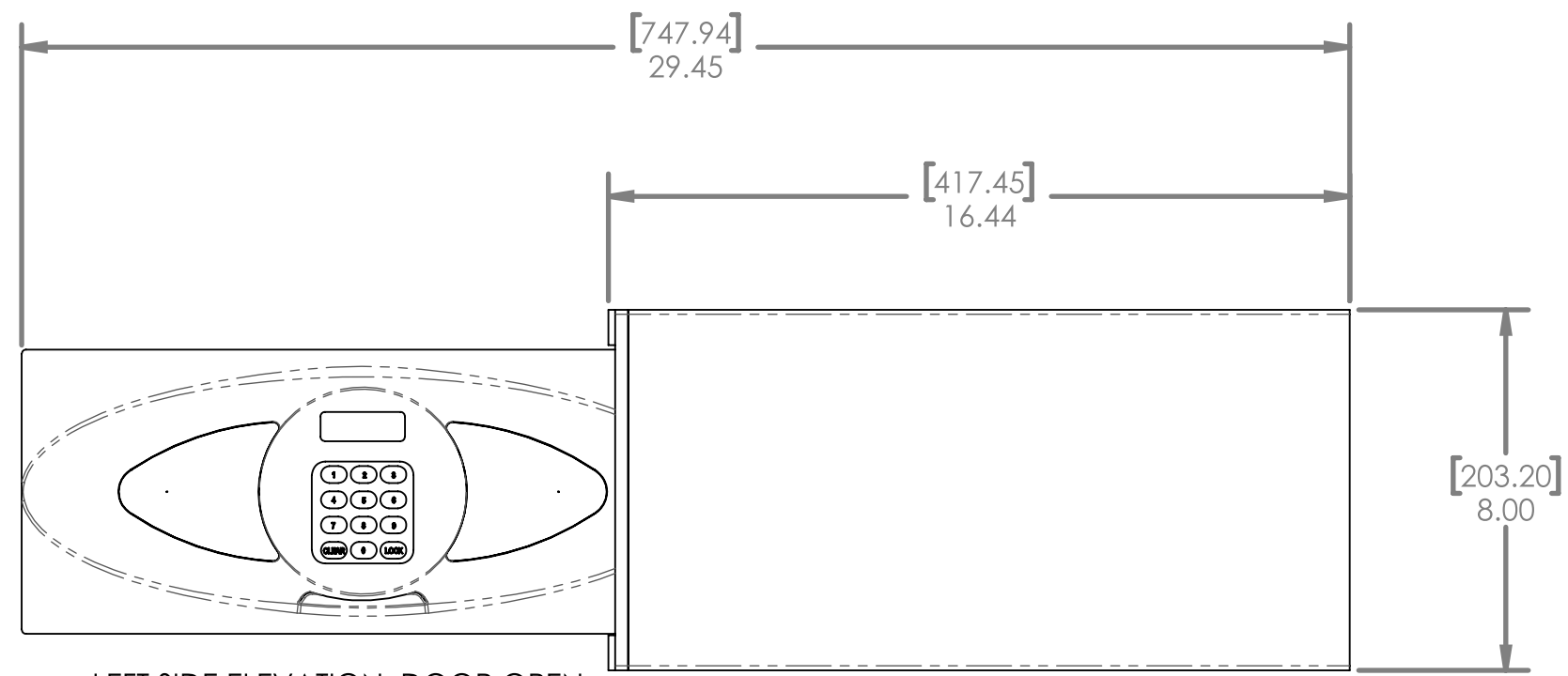
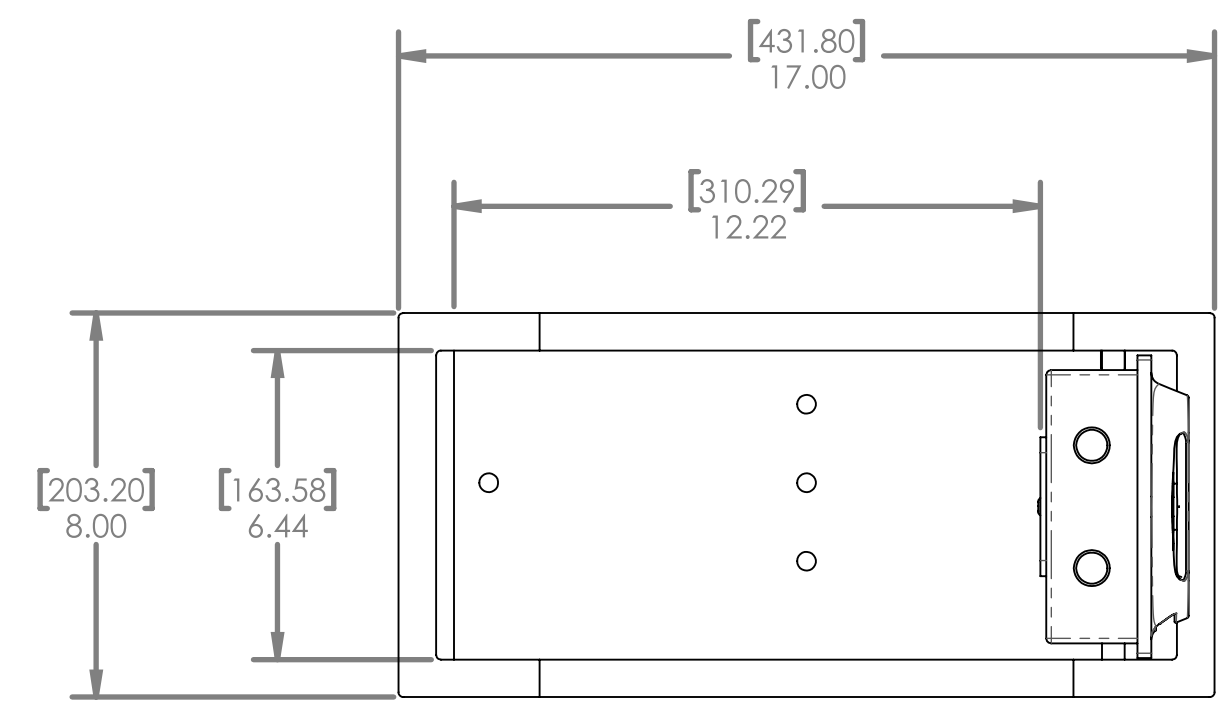


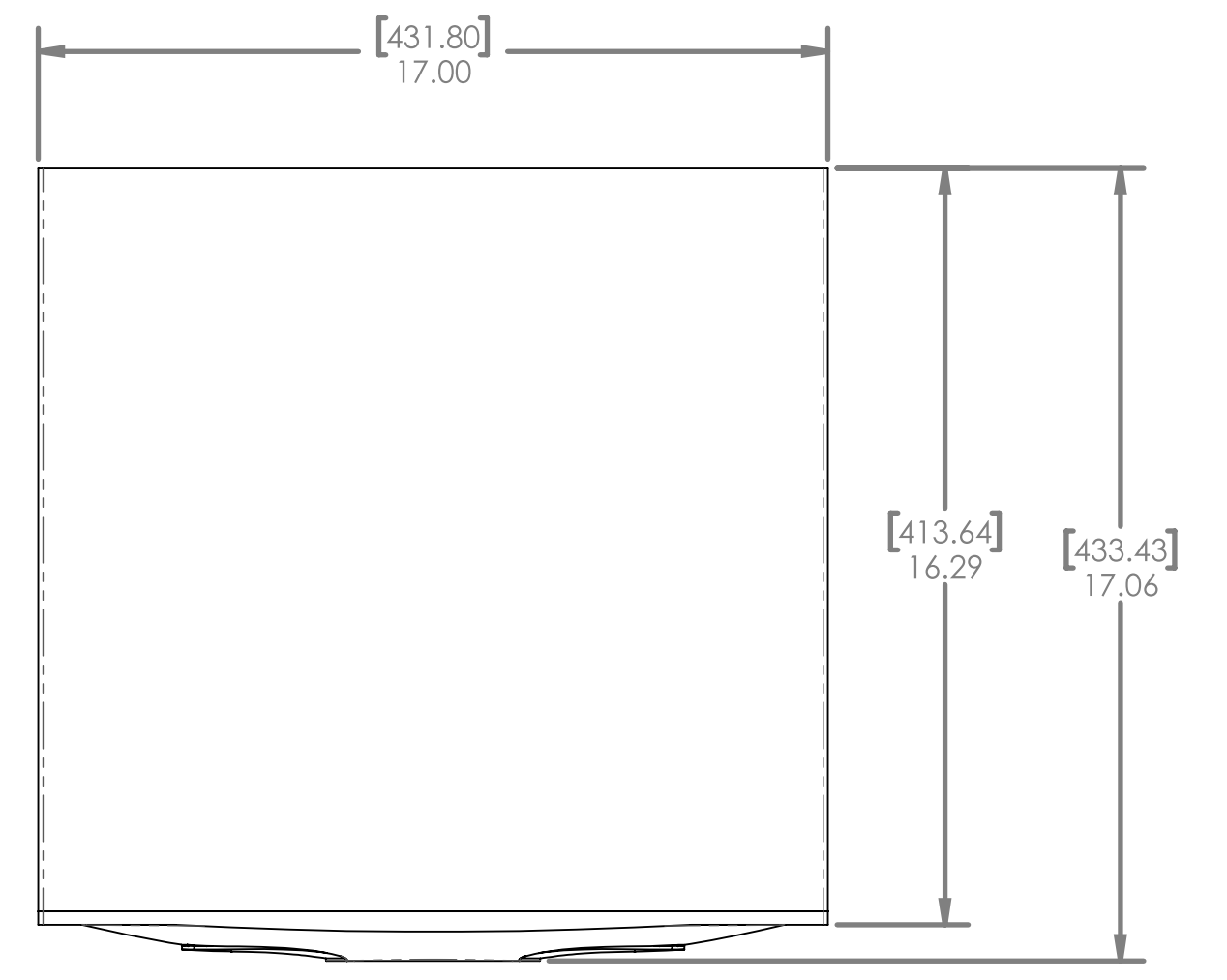
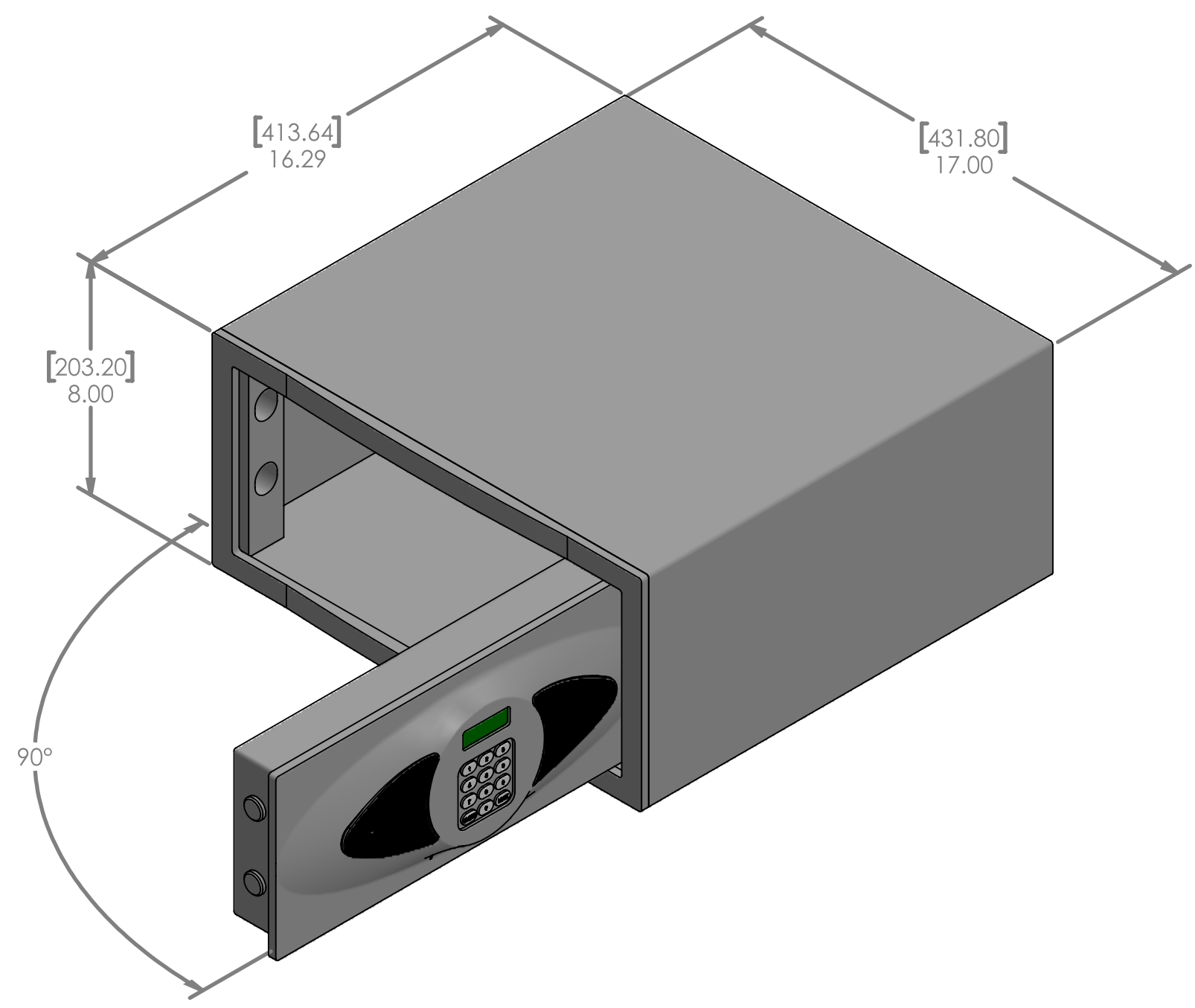
REVISIONS				
REV.	ZONE	DESCRIPTION	DATE	APPRD
1	ALL	INITIAL RELEASE	7/31/15	BC



LEFT SIDE ELEVATION, DOOR OPEN
RH HINGE (REVERSE FOR LH HINGE)



FRONT ELEVATION, DOOR OPEN
RH HINGE (REVERSE FOR LH HINGE)



TOP VIEW, DOOR CLOSED

SAFE WEIGHT: __lb [__kg]

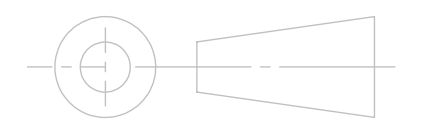
UNLESS OTHERWISE SPECIFIED:
 DIMENSIONS ARE IN INCHES
 TOLERANCES:
 FRACTIONAL ± 1/16
 ANGULAR: ± 1/2°
 TWO PLACE DECIMAL +/- .05
 THREE PLACE DECIMAL +/- .005
 FOUR PLACE DECIMAL +/- .0005

THE INFORMATION CONTAINED IN THIS
 DRAWING IS THE SOLE PROPERTY OF
 SAFEMARK. ANY REPRODUCTION IN
 PART OR AS A WHOLE WITHOUT THE
 WRITTEN PERMISSION IS PROHIBITED.
 PROPRIETARY AND CONFIDENTIAL

	NAME	DATE
DRAWN	BC	7/31/15
CHECKED		
ENG APPR.		
MFG APPR.		

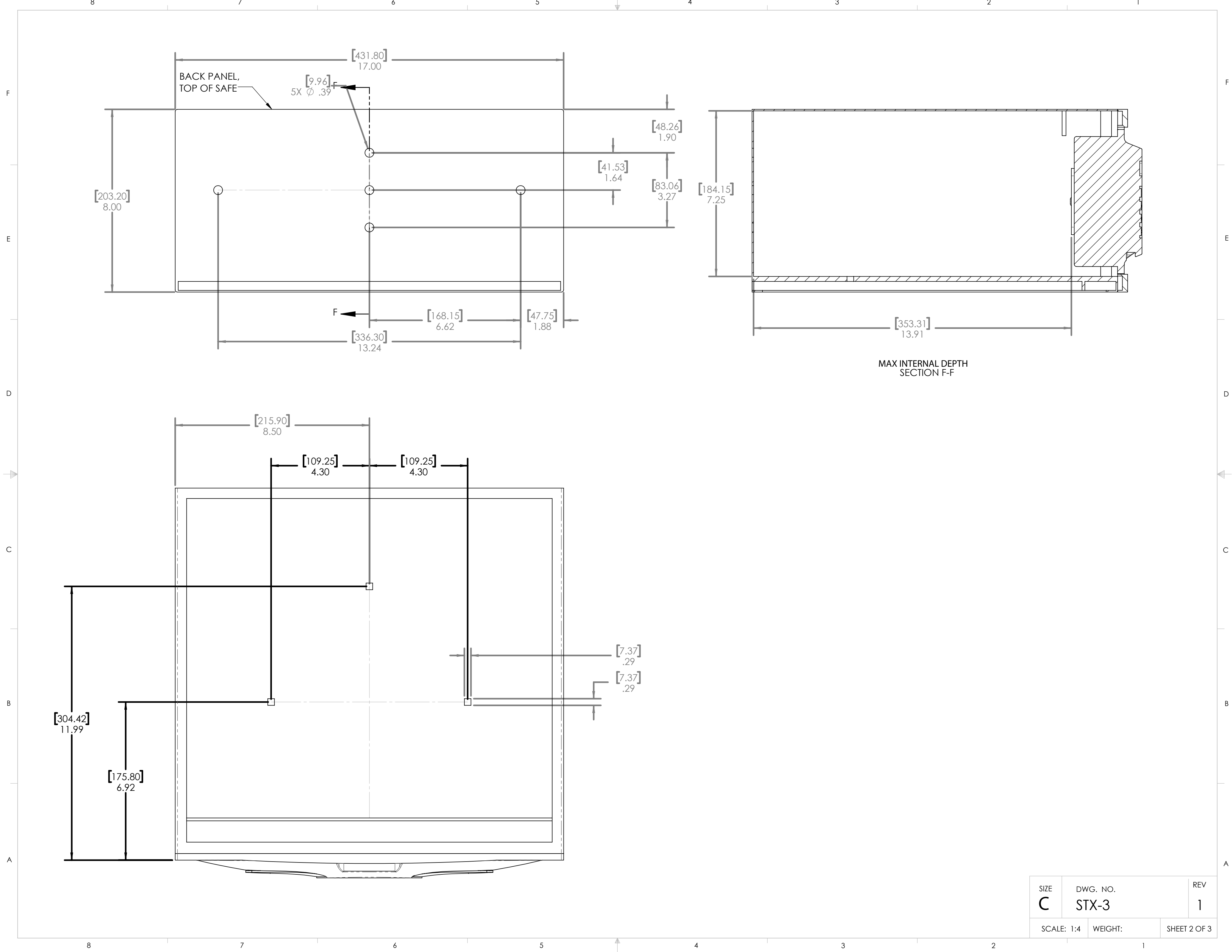
SAFEMARK™
Orlando, FL

TITLE:
STX-3

THIRD ANGLE PROJECTION

 DO NOT SCALE DRAWING

SIZE	DWG. NO.	REV
C	STX-3	1

SCALE: 1:4 WEIGHT: SHEET 1 OF 3



MAX INTERNAL DEPTH
SECTION F-F

SIZE C	DWG. NO. STX-3	REV 1
SCALE: 1:4	WEIGHT:	SHEET 2 OF 3