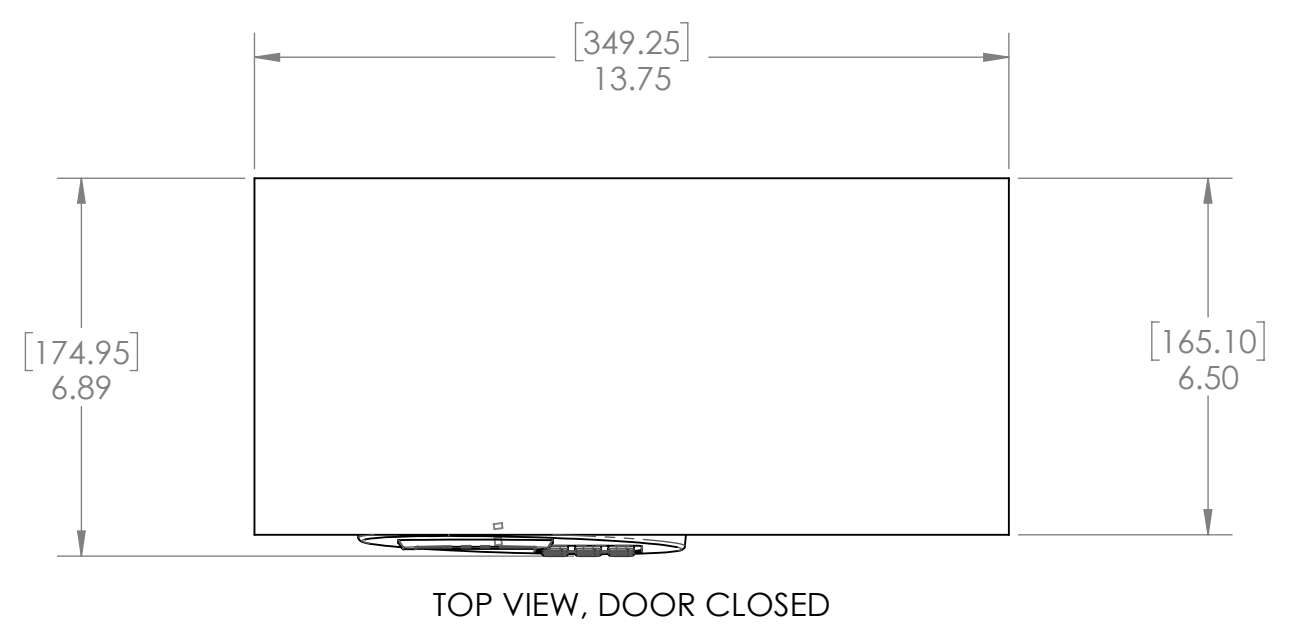
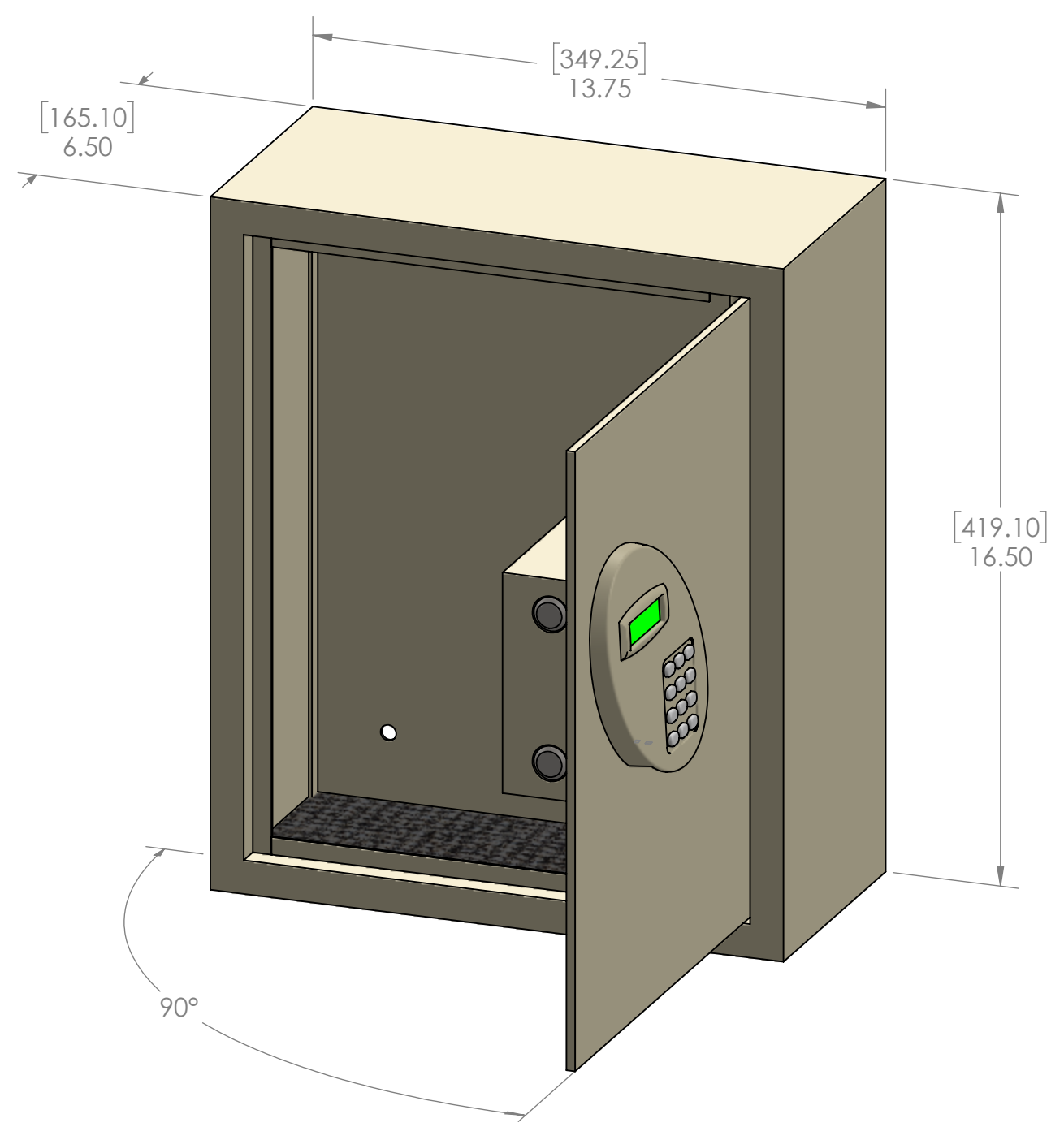
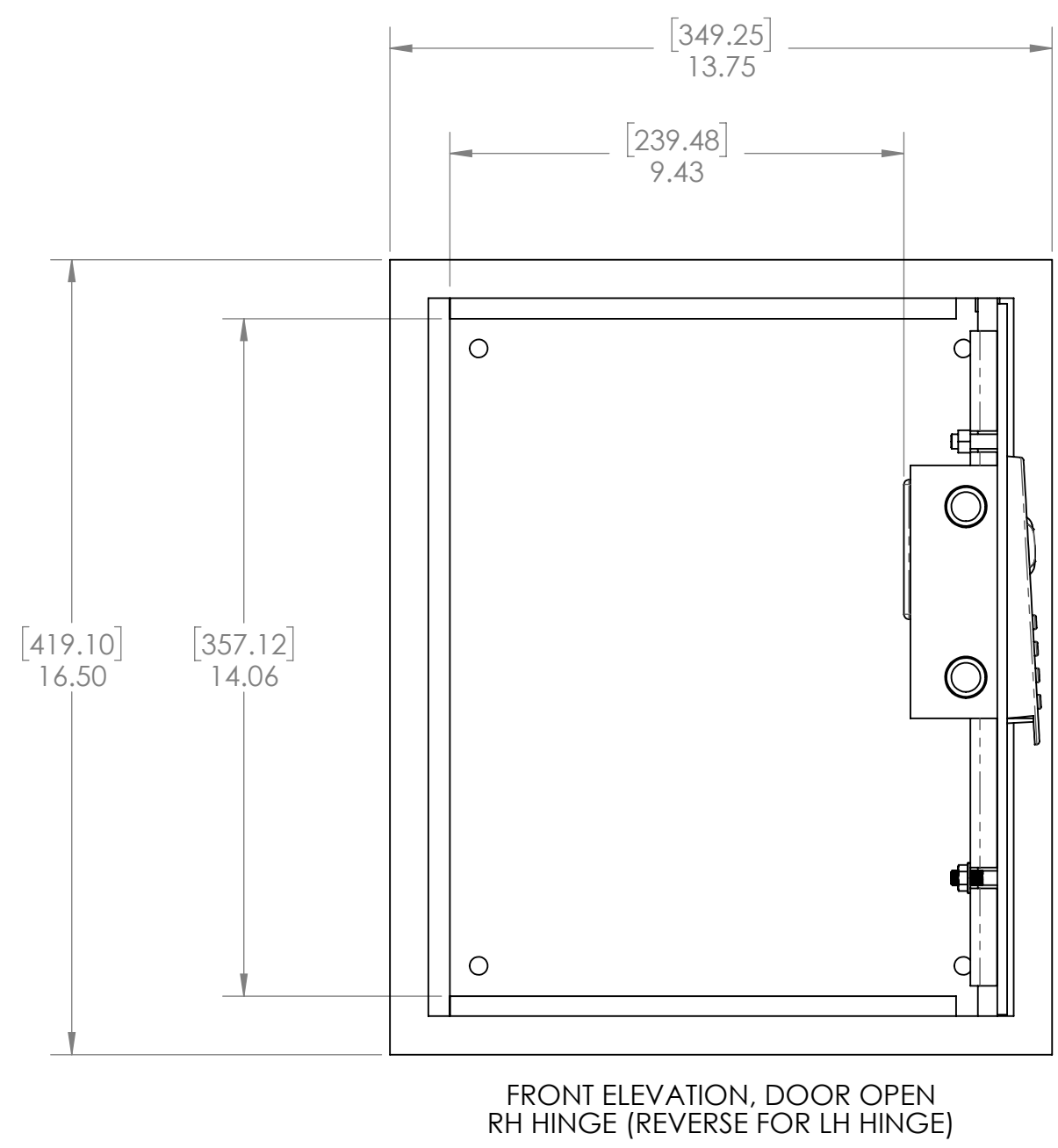
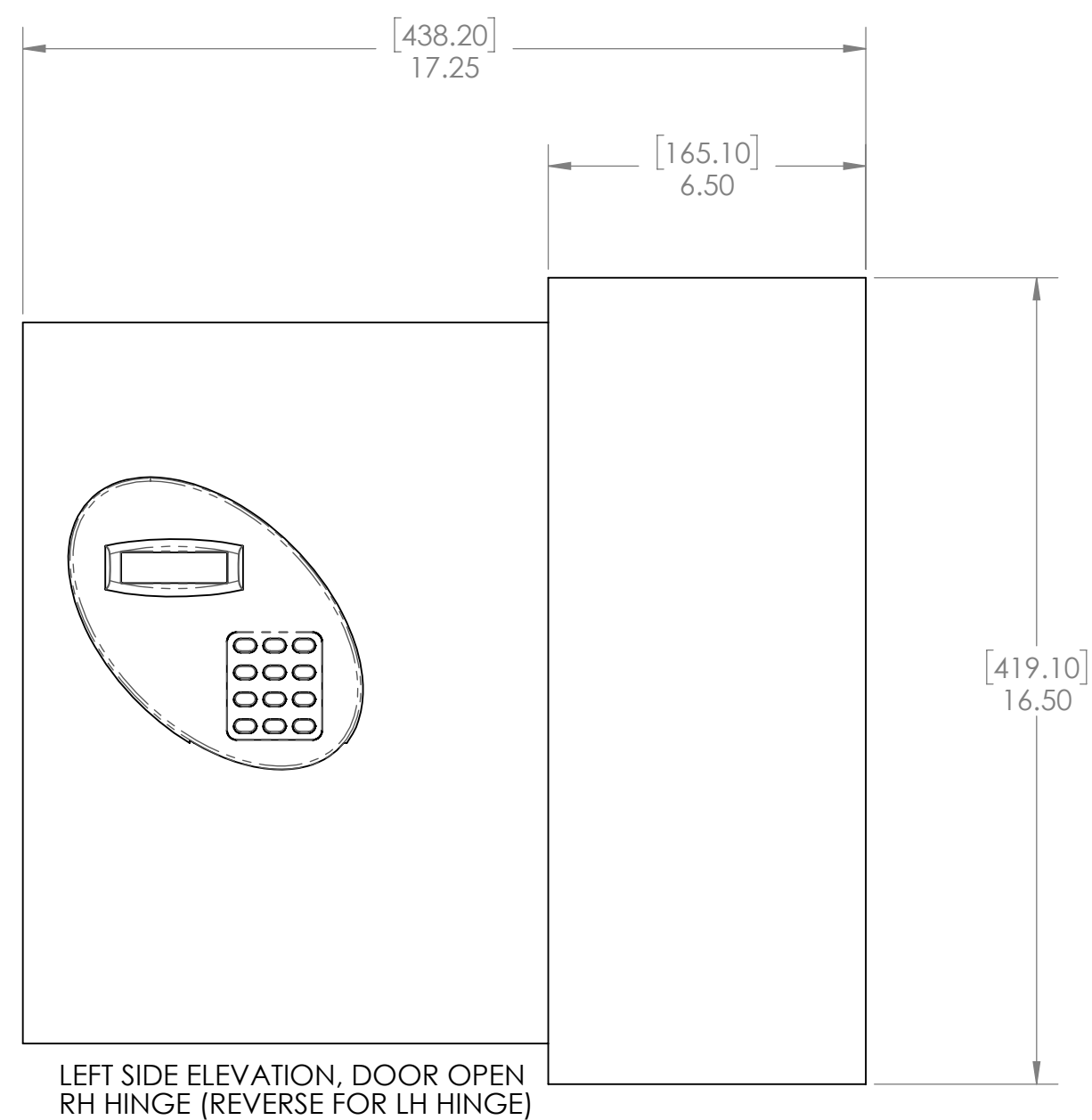


REVISIONS				
REV.	ZONE	DESCRIPTION	DATE	APPRD
1	ALL	INITIAL RELEASE	9/12/16	CWF



SAFE WEIGHT: 31.2lb [14.15kg]

UNLESS OTHERWISE SPECIFIED:
 DIMENSIONS ARE IN INCHES
 TOLERANCES:
 FRACTIONAL ± 1/16
 ANGULAR: ± 1/2°
 TWO PLACE DECIMAL +/- .05
 THREE PLACE DECIMAL +/- .005
 FOUR PLACE DECIMAL +/- .0005

THE INFORMATION CONTAINED IN THIS DRAWING IS THE SOLE PROPERTY OF SAFEMARK. ANY REPRODUCTION IN PART OR AS A WHOLE WITHOUT THE WRITTEN PERMISSION IS PROHIBITED. PROPRIETARY AND CONFIDENTIAL

	NAME	DATE
DRAWN	CWF	9/12/16
CHECKED		
ENG APPR.		
MFG APPR.		

THIRD ANGLE PROJECTION

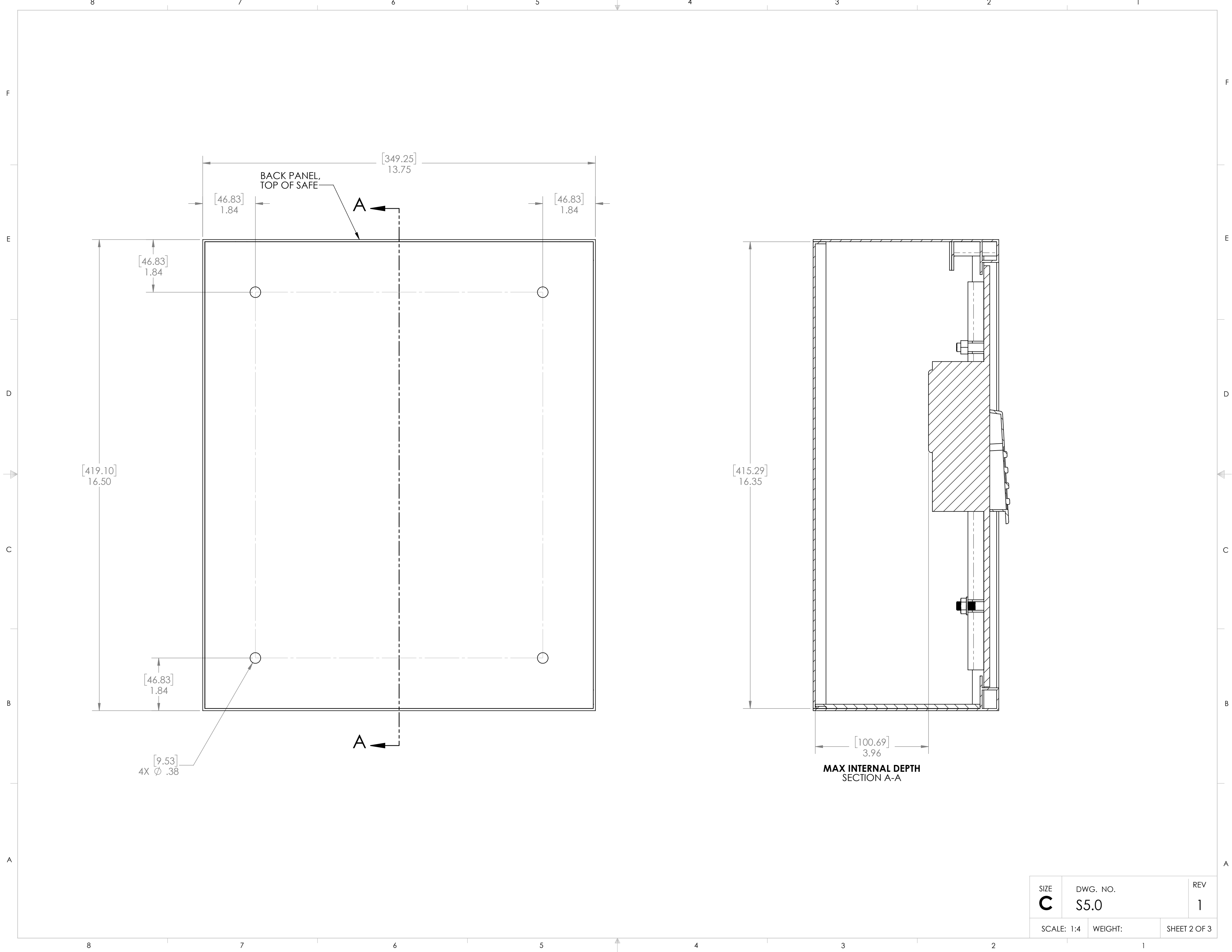
DO NOT SCALE DRAWING

SAFEMARK™
Orlando, FL

TITLE:
SURFACE MOUNT WALL 5.0

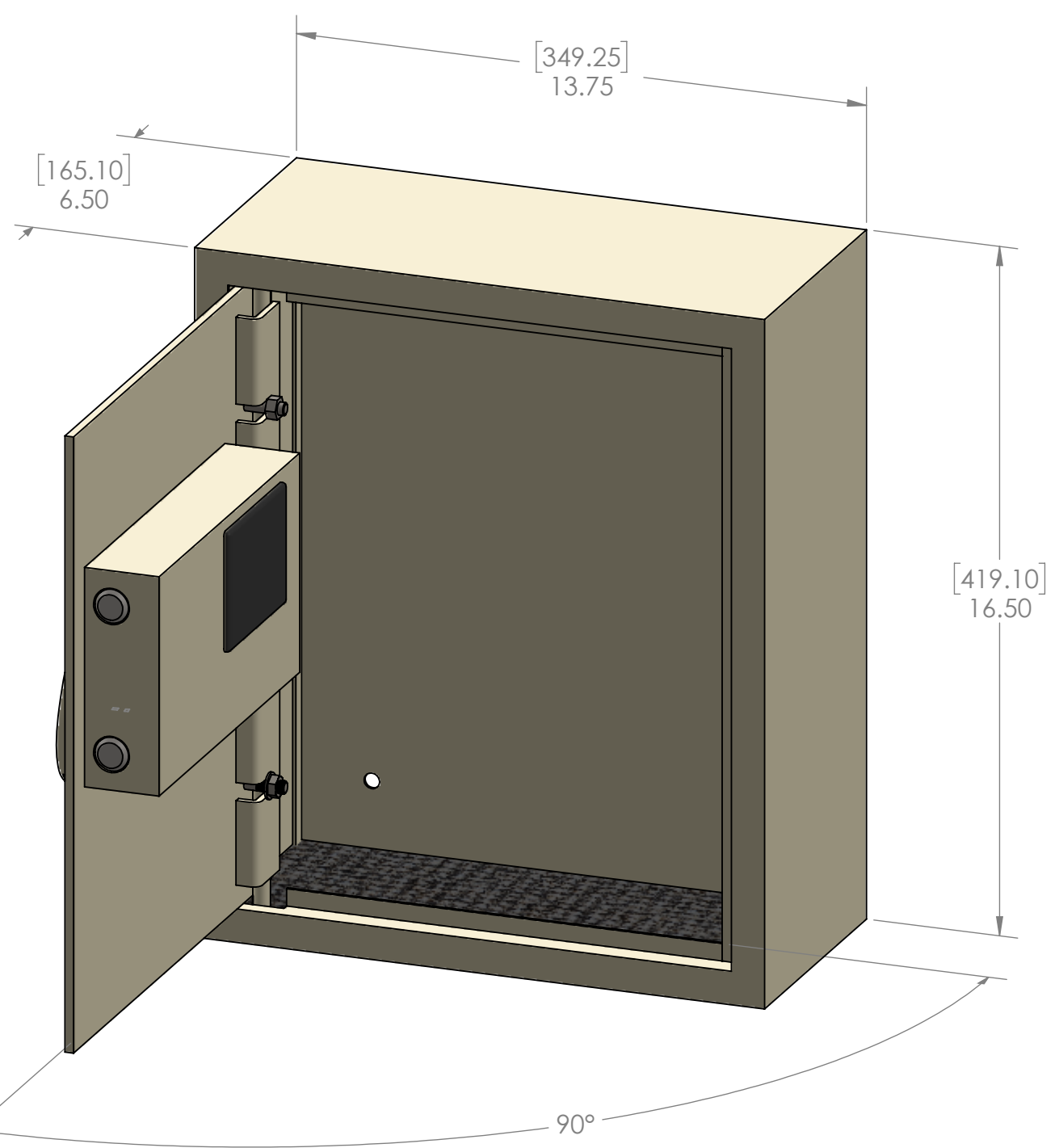
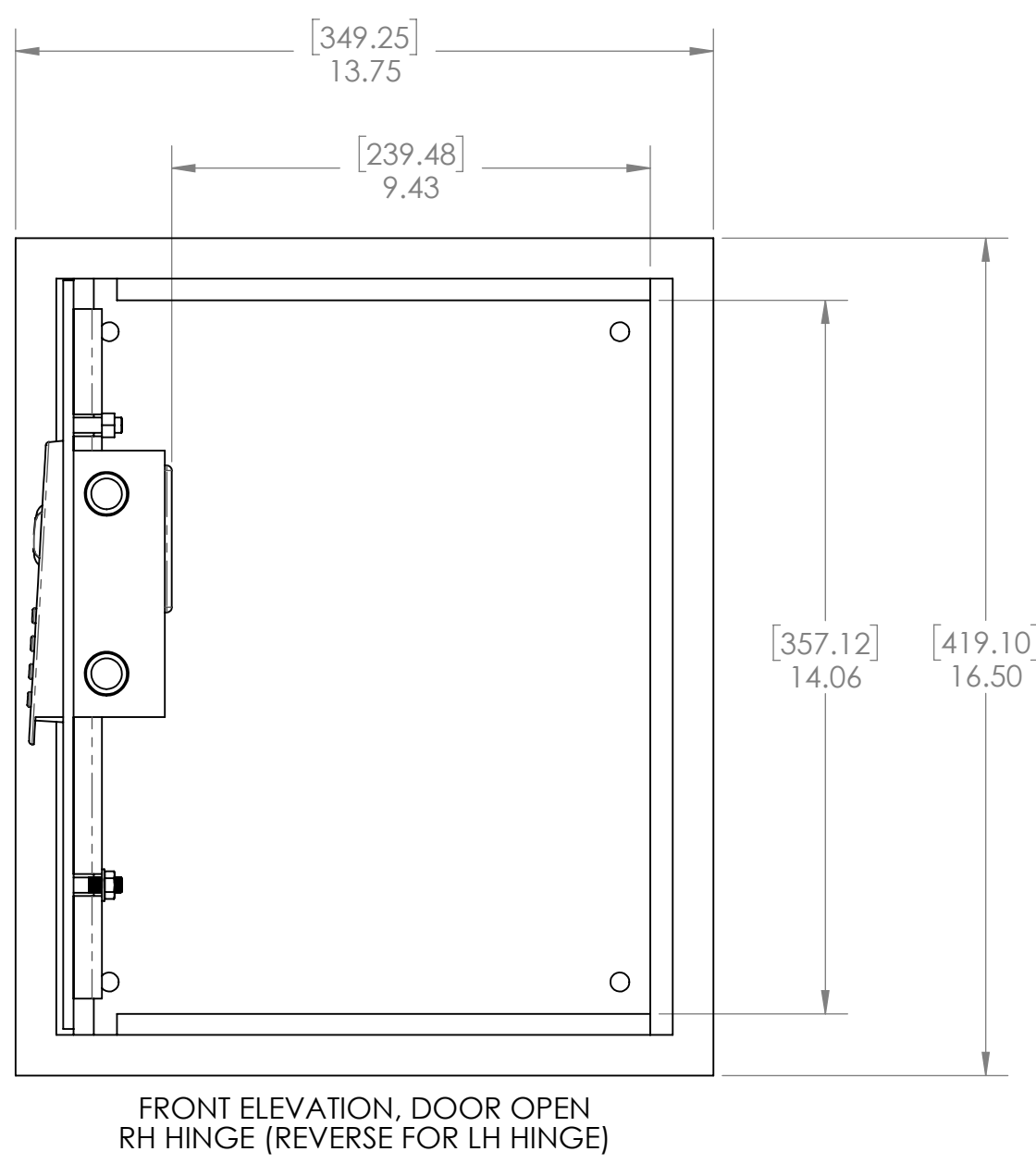
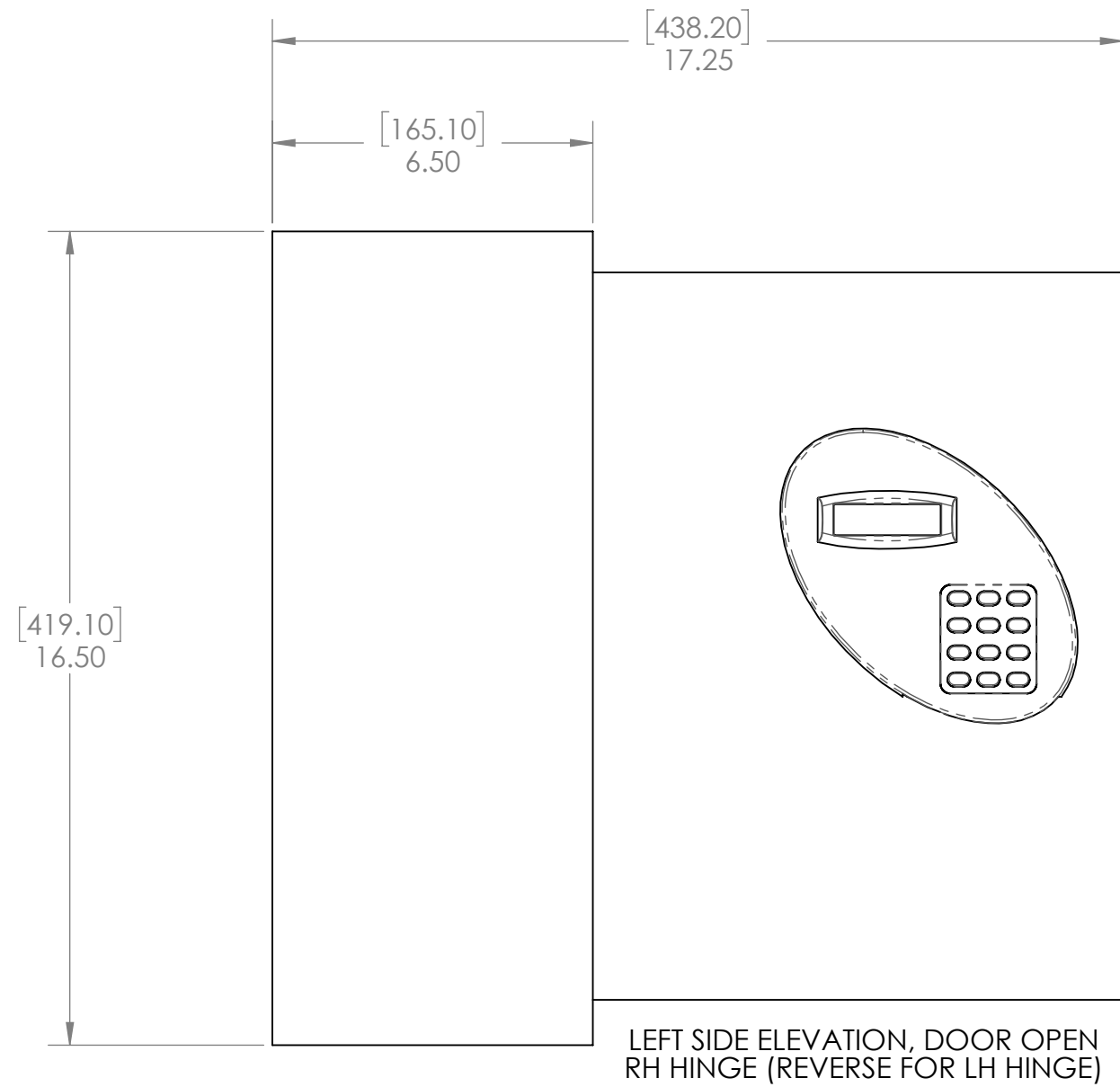
SIZE C	DWG. NO. S5.0	REV 1
------------------	-------------------------	-----------------

SCALE: 1:4 WEIGHT: SHEET 1 OF 3

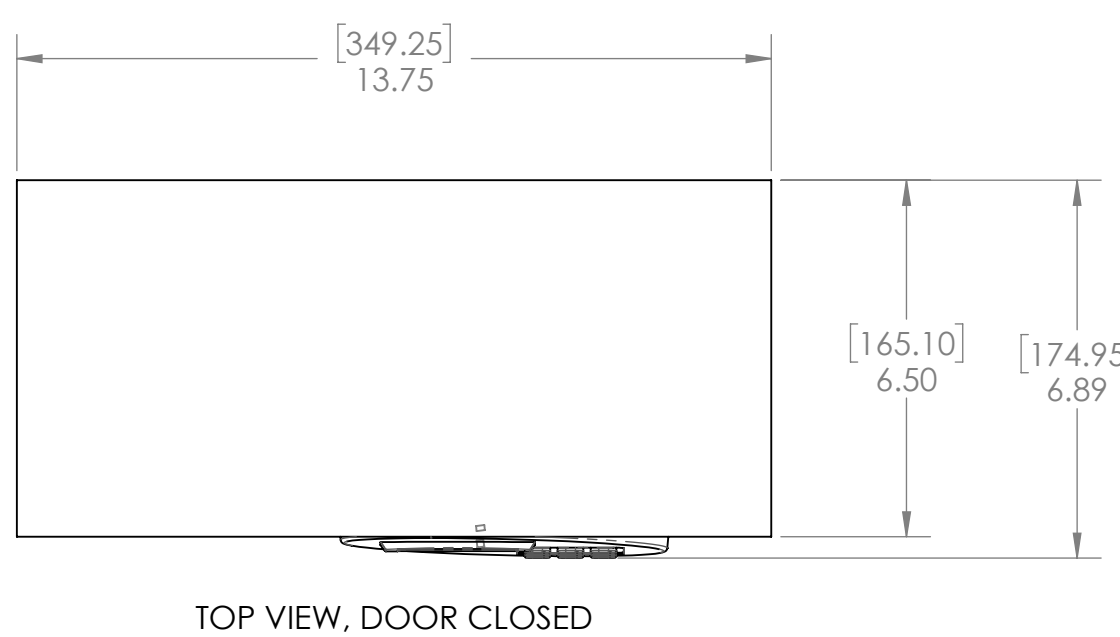


SIZE C	DWG. NO. S5.0	REV 1
SCALE: 1:4	WEIGHT:	SHEET 2 OF 3

REVISIONS				
REV.	ZONE	DESCRIPTION	DATE	APPRD
1	ALL	INITIAL RELEASE	9/12/16	CWF



SAFE WEIGHT: 31.2lb [14.15kg]



UNLESS OTHERWISE SPECIFIED:
 DIMENSIONS ARE IN INCHES
 TOLERANCES:
 FRACTIONAL ± 1/16
 ANGULAR: ± 1/2°
 TWO PLACE DECIMAL +/- .05
 THREE PLACE DECIMAL +/- .005
 FOUR PLACE DECIMAL +/- .0005

THE INFORMATION CONTAINED IN THIS DRAWING IS THE SOLE PROPERTY OF SAFEMARK. ANY REPRODUCTION IN PART OR AS A WHOLE WITHOUT THE WRITTEN PERMISSION IS PROHIBITED. PROPRIETARY AND CONFIDENTIAL

	NAME	DATE
DRAWN	CWF	9/12/16
CHECKED		
ENG APPR.		
MFG APPR.		

THIRD ANGLE PROJECTION

DO NOT SCALE DRAWING

SAFEMARK™
Orlando, FL

TITLE:
SURFACE MOUNT WALL 5.0 (LH)

SIZE C	DWG. NO. S5.0 (LH)	REV 1
------------------	------------------------------	-----------------

SCALE: 1:4 WEIGHT: SHEET 3 OF 3